

RESEARCH ARTICLE

Viruses in saliva from sanctuary chimpanzees (*Pan troglodytes*) in Republic of Congo and Uganda

Emily Dunay¹, Joshua Rukundo², Rebeca Atencia³, Megan F. Cole⁴, Averill Cantwell⁵, Melissa Emery Thompson⁴, Alexandra G. Rosati^{5,6}, Tony L. Goldberg^{1*}

1 Department of Pathobiological Sciences, School of Veterinary Medicine, University of Wisconsin-Madison, Madison, Wisconsin, United States of America, **2** Ngamba Island Chimpanzee Sanctuary / Chimpanzee Trust, Entebbe, Uganda, **3** Jane Goodall Institute Congo, Pointe-Noire, Republic of Congo, **4** Department of Anthropology, University of New Mexico, Albuquerque, New Mexico, United States of America, **5** Department of Psychology, University of Michigan, Ann Arbor, Michigan, United States of America, **6** Department of Anthropology, University of Michigan, Ann Arbor, Michigan, United States of America

* tony.goldberg@wisc.edu



OPEN ACCESS

Citation: Dunay E, Rukundo J, Atencia R, Cole MF, Cantwell A, Emery Thompson M, et al. (2023) Viruses in saliva from sanctuary chimpanzees (*Pan troglodytes*) in Republic of Congo and Uganda. PLoS ONE 18(6): e0288007. <https://doi.org/10.1371/journal.pone.0288007>

Editor: Engin Berber, Lerner Research Institute - Cleveland Clinic, UNITED STATES

Received: March 27, 2023

Accepted: June 16, 2023

Published: June 29, 2023

Peer Review History: PLOS recognizes the benefits of transparency in the peer review process; therefore, we enable the publication of all of the content of peer review and author responses alongside final, published articles. The editorial history of this article is available here: <https://doi.org/10.1371/journal.pone.0288007>

Copyright: © 2023 Dunay et al. This is an open access article distributed under the terms of the [Creative Commons Attribution License](https://creativecommons.org/licenses/by/4.0/), which permits unrestricted use, distribution, and reproduction in any medium, provided the original author and source are credited.

Data Availability Statement: Viral nucleotide sequences are available in GenBank under accession numbers OP934203-OP934225. Metadata is available under BioProject

Abstract

Pathogen surveillance for great ape health monitoring has typically been performed on non-invasive samples, primarily feces, in wild apes and blood in sanctuary-housed apes. However, many important primate pathogens, including known zoonoses, are shed in saliva and transmitted via oral fluids. Using metagenomic methods, we identified viruses in saliva samples from 46 wild-born, sanctuary-housed chimpanzees at two African sanctuaries in Republic of Congo and Uganda. In total, we identified 20 viruses. All but one, an unclassified CRESS DNA virus, are classified in five families: *Circoviridae*, *Herpesviridae*, *Papillomaviridae*, *Picobirnaviridae*, and *Retroviridae*. Overall, viral prevalence ranged from 4.2% to 87.5%. Many of these viruses are ubiquitous in primates and known to replicate in the oral cavity (simian foamy viruses, *Retroviridae*; a cytomegalovirus and lymphocryptovirus; *Herpesviridae*; and alpha and gamma papillomaviruses, *Papillomaviridae*). None of the viruses identified have been shown to cause disease in chimpanzees or, to our knowledge, in humans. These data suggest that the risk of zoonotic viral disease from chimpanzee oral fluids in sanctuaries may be lower than commonly assumed.

Introduction

Sanctuaries throughout Africa house and care for thousands of wild-born non-human primates (NHPs) that have been rescued from the illegal bushmeat and pet trades [1, 2]. In this setting, human caretakers typically have frequent, direct contact with NHPs with different geographic origins and histories which provides great opportunity for zoonotic pathogen transmission [3, 4]. One risk in such settings is NHP bites [5, 6]. NHP bites can cause severe physical injury, can become infected, and can transmit infectious agents, some of which are severely pathogenic in people [5, 7–11]. For example, herpes B virus, which infects macaques (*Macaca* spp.) often asymptotically, is frequently lethal in humans [5]. Human infections

PRJNA888083 and BioSamples SAMN31207558 - SAMN31207565. All other relevant data are within the paper and [supporting information](#) files.

Funding: "This research was supported by National Institutes of Health awards R37AG049395 and R01AG049395 through the National Institute for Aging (<https://nia.nih.gov>) and the Office of Research on Women's Health (<https://orwh.od.nih.gov>) to MET, AGR, and TLG and a University of Wisconsin-Madison Global Health Institute (<https://ghi.wisc.edu>) Graduate Student Research Award to ED for research materials. ED was supported in the form of salary by the University of Wisconsin-Madison Comparative Biomedical Sciences Training Grant T32OD010423 from the National Institutes of Health Office of the Director (<https://nih.gov>). The funders had no role in study design, data collection and analysis, decision to publish, or preparation of the manuscript."

Competing interests: The authors have declared that no competing interests exist.

with apathogenic simian foamy viruses (SFVs) and with oncogenic primate T-lymphotropic viruses have resulted from NHP bites in hunters and occupational workers (e.g., people employed in research and zoo settings) [12–15]. Some viruses, such as Epstein-Barr virus of humans, are thought to be transmitted in saliva without an inciting bite [16, 17]. Furthermore, many viruses that can be detected in saliva can be transmitted through other routes (e.g., SARS-CoV-2: respiratory droplets [18]; herpes B virus: urine, feces, scratches [19]).

In addition to concern for virus transmission between sanctuary NHPs and sanctuary workers, the possible introduction and spread of viruses among and between NHP social groups and species warrants screening for pathogens that could impact relocation or reintroduction efforts [5, 20–23]. For example, human herpes simplex virus type 1, which has yet to be documented in wild mountain gorilla (*Gorilla beringei beringei*) populations, was detected in oral lesions of a sanctuary-housed juvenile eastern lowland gorilla (*G. b. graueri*) in Democratic Republic of Congo [20, 23].

The most commonly housed NHP at Pan African Sanctuary Alliance member sanctuaries is the chimpanzee (*Pan troglodytes*) [24, 25]. Thus, the majority of prior studies regarding sanctuary NHP health have been focused on chimpanzees [27]. Historically, research addressing viral infections in sanctuary-housed chimpanzees has been limited to using fecal and blood samples to determine what viruses are present in these populations [26, 27]. Thus far, these studies have shown that sanctuary chimpanzees are infected with a number of viruses that have rarely been associated with disease [28–30].

Despite the recognized risk of pathogen transmission, studies focused on viral infections in saliva from captive chimpanzees are few. Experimental infection of chimpanzees in research settings has suggested that saliva is a transmitting agent for certain human hepatitis viruses [31, 32]. In zoo- and laboratory-housed chimpanzees, there are reports of focal epithelial hyperplasia [33–35], a benign oral condition that has been associated with a papillomavirus, Pan paniscus papillomavirus type 1, first identified in zoo-housed bonobos (*Pan paniscus*) [36–38]. In wild chimpanzee populations, non-invasive saliva sampling has been recognized as a potentially valuable tool for pathogen detection, however, to our knowledge, only once has it been used to screen for a certain virus of interest (i.e., monkeypox virus) [39, 40].

When possible, the use of diverse and alternative sample types, such as saliva, may contribute to great ape health assessments by improving pathogen detection capabilities [16, 39–41]. There are limitations innate to all types of clinical samples regarding their suitability for the detection of pathogens due to differences in microbial properties, cellular and tissue tropism, and transmission routes [16, 42–44]. For example, rhinovirus C, a human respiratory pathogen that was associated with a lethal respiratory outbreak in wild chimpanzees in Uganda in 2013, is unlikely to be reliably detected in fecal samples due to virion characteristics that are not compatible with survival in the gastrointestinal tract [45]. Furthermore, certain enteric viruses (i.e., viruses of the gastrointestinal tract), which are known to be transmitted by the fecal-oral route, have been shown to replicate in the salivary glands and transmit through saliva in a mouse model [46]. Yet the results of viral diagnostics using saliva are likely to overlap with some of the more commonly utilized sample types. For example, certain viruses that are known to replicate in the oral cavity (e.g., SFV) can also be detected in peripheral blood mononuclear cells (an approach that has been employed in the chimpanzee sanctuary setting [6, 47]) and feces [48].

In this study, using metagenomic methods, we characterized viruses in saliva collected from two African sanctuary chimpanzee populations: A) Tchimpounga Chimpanzee Rehabilitation Centre (TCRC) in Republic of Congo and B) Ngamba Island Chimpanzee Sanctuary (NICS) in Uganda. Previously, we analyzed plasma samples from these same populations and found no evidence of pathogenic viruses and that sanctuary chimpanzees are infected with

many of the same types of viruses as their wild counterparts [26]. To our knowledge, this study is the first to identify viruses in saliva samples from sanctuary-housed chimpanzees which addresses the possibility that pathogenic viruses are being shed in saliva and could be transmitted to sanctuary personnel. Together with our prior surveillance using plasma, results from the current study could have implications for occupational health and safety of NHP sanctuary personnel, sanctuary management, and wild chimpanzee conservation efforts.

Methods

Ethics statement

Research at the sanctuaries was approved by the Institutional Animal Care and Use Committees at the University of Michigan (#8102) and Harvard University (#14-07-206-1). Additionally, research was approved by the Republic of Congo Ministry of Scientific Research and Technological Innovation and Jane Goodall Institute Congo for TCRC and the Uganda Wildlife Authority, the Uganda National Council for Science and Technology, and Chimpanzee Sanctuary and Wildlife Conservation Trust for NICS. Samples were shipped to the USA under Convention on International Trade in Endangered Species of Wild Fauna and Flora permits: Republic of Congo permit CG1126038 and USA permit 20US56953D/9 (TCRC); Uganda permit 004877 and USA permit 20US09881D/9 (NICS). Research complied with the standards outlined by the Pan African Sanctuary Alliance and adhered to the American Society of Primatologists Principles for the Ethical Treatment of Non-Human Primates.

Study sites, study populations, and sample collection

The study sites were two Pan African Sanctuary Alliance member chimpanzee sanctuaries: A) TCRC and B) NICS (Fig 1). TCRC is located approximately 30km north of Pointe-Noire, Republic of Congo, in the Tchimpounga Nature Reserve, and cares for approximately 150 chimpanzees. NICS is located on Ngamba Island in Lake Victoria, Uganda, and cares for approximately 52 chimpanzees. After rescue, arrival at the sanctuaries, and rehabilitation, chimpanzees are integrated into social groups that semi-free range in forested enclosures during the day and stay in enclosed dens at night. At both sites, chimpanzees are provisioned with a variety of species-appropriate fruits, vegetables, and other foods multiple times per day, but the sanctuary chimpanzees are also able to forage within their forest enclosures.

At TCRC, we analyzed saliva from 1 sanctuary-born and 22 wild-born chimpanzees (11 females and 12 males, ages 7–31 years old) that was collected between July 4th and July 24th, 2019. At NICS, we analyzed saliva from 24 wild-born chimpanzees (13 females and 11 males, ages 7–30 years old) that was collected between July 29th and August 14th, 2016. Saliva samples were collected by researchers from chimpanzees who voluntarily allowed their mouth to be swabbed as in previous studies, following the same protocols [49–51]. To do so, the researchers first thoroughly washed their hands and then poured ground SweeTARTS (Ferrera Candy Company, Chicago, IL, USA) powder onto a cotton round. While holding the chimpanzee's bottom lip through the wire mesh enclosure, the cotton round was placed between the bottom lip and gums to absorb saliva. To minimize sample contamination, saliva was not collected from chimpanzees during provisioning periods (e.g., in the morning before breakfast at NICS, and either before breakfast or at least a half hour after feeding at TCRC), from chimpanzees who were observed eating anything remaining from prior feeding periods, or from chimpanzees who had visible cuts or other potential contamination sources in their mouths. After becoming saturated with saliva, a process that typically took 2–3 minutes and no more than 5 minutes, the cotton round was placed into a 10-mL syringe and the plunger was used to expel the saliva into a 1.2 mL cryogenic vial (Fisher Scientific, Waltham, MA, USA). TCRC saliva

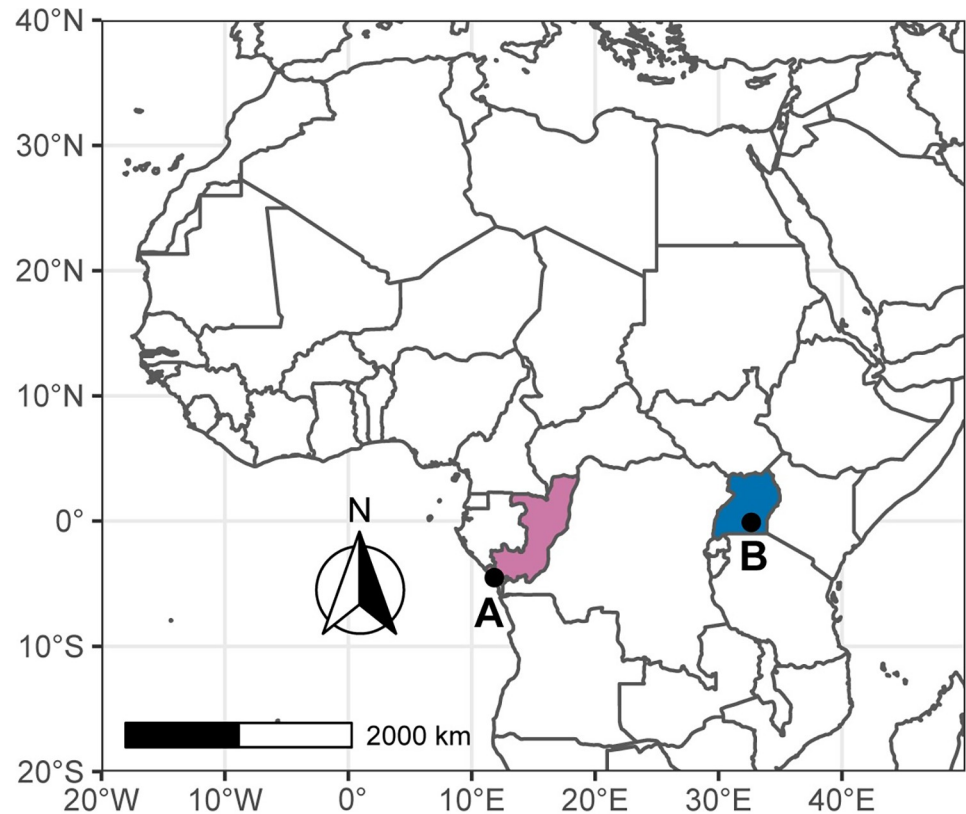


Fig 1. Map of study sites. (A) Tchimpounga Chimpanzee Rehabilitation Centre (TCRC) in Republic of Congo (purple) and (B) Ngamba Island Chimpanzee Sanctuary (NICS) in Uganda (blue). Map created using R v. 4.2.0 with Natural Earth (R Core Team, 2022).

<https://doi.org/10.1371/journal.pone.0288007.g001>

samples were stored in the field in a cooler with ice packs and moved to a -20°C freezer within two hours. NICS saliva samples were frozen immediately in liquid nitrogen. All samples were kept frozen during shipment to the USA and were then stored at -80°C until processing.

Sample preparation and sequencing

Following previously described methods optimized for virus detection in chimpanzee blood, feces, and respiratory swabs [4, 26, 45, 52–54], saliva samples were subject to metagenomic next-generation sequencing. First, we added 125ul of saliva to 125ul of Hank's Balanced Salt Solution (MilliporeSigma, Burlington, MA, USA), and the mixture was homogenized by bead beating and clarified by centrifugation. After nuclease digestion [55], we extracted nucleic acids using the QIAamp MinElute Virus Spin Kit (Qiagen, Hilden, Germany). We synthesized double-stranded cDNA using the SuperScript double-stranded cDNA Synthesis Kit (Invitrogen, Carlsbad, CA, USA). We purified the cDNA using AmpureXP beads (Beckman Coulter, Brea, CA, USA) and prepared DNA libraries using the Nextera XT DNA sample preparation kit (Illumina, San Diego, CA, USA). DNA libraries were sequenced on a MiSeq instrument (MiSeq Reagent Kit, V2 chemistry, 300 cycle kit; Illumina).

Virus identification

We trimmed and prepared sequencing data using CLC Genomics Workbench v. 20.0.4 (Qiagen) as previously described [26]. First, we trimmed reads of low quality (Phred quality score < 30)

and <50 bases in length. We then filtered out reads mapping to known contaminants and to a chimpanzee (*Pan troglodytes*) reference genome (GenBank accession number GCF_002880755.1). We performed de novo assembly of the remaining reads using SPAdes v. 3.15.2 with the metaSPAdes pipeline [56, 57]. We compared resulting contiguous sequences to the GenBank database using both the BLASTn (nucleotide) and BLASTx (protein) algorithms to identify viruses [58, 59]. We retained contigs representing viruses associated with mammalian hosts for further analyses (i.e., we excluded confirmed bacteriophage and viruses associated with invertebrates per ICTV reports). We used NOVOplasty to build out circular virus genomes [60].

To quantify viral abundances, we mapped reads from each individual to the sequence of a target gene (see Table 1 footnote) for each virus at a length fraction of 1.0 and similarity of 0.9 and classified an individual as positive for a virus if it had a normalized read count of ≥ 1 read per million at a length of ≥ 50 bases matching that virus. To estimate viral relative abundance, we determined the proportion of reads mapping to each virus and the proportion of reads mapping to any virus in the population (total viral abundance). We then normalized this measure to one million reads and to the length of the target sequence for each virus and applied a log transformation to calculate a metagenomic measure of viral abundance (\log_{10} viral reads per million per kilobase of target sequence, or \log_{10} vRPM/kb) which is correlated with results from quantitative PCR assays [61] and has proven informative in our prior studies of chimpanzee viruses [26, 45, 52–54]. Complete papillomavirus genomes were annotated using PuMA [62].

Phylogenetics and viral sequence comparisons

To infer phylogenetic relationships, we generated multiple sequence alignments of nucleotide sequences from the viruses identified in this study and known, related viruses in GenBank using the T-Coffee algorithm implemented by EMBL-EBI and hand edited the alignments as needed [63, 64]. We then inferred maximum-likelihood phylogenetic trees using PhyML with Smart Model Selection and 1000 bootstrap replicates [65, 66]. We displayed resulting phylogenetic trees in FigTree v. 1.4.4 [67].

We used MEGA X to calculate genetic distances (nucleotide p-distance \pm standard error, 1000 bootstrap replicates) of viruses within and between the two sanctuary populations [68]. To compare the viruses identified in this study to each other and known relatives, we used Sequence Demarcation Tool v. 1.2 to generate pairwise alignments using the MUSCLE algorithm and calculate pairwise identities for nucleotide and amino acid sequences [69, 70].

Statistical analyses

We conducted statistical analyses using R v. 4.2.0 implemented in R Studio [71, 72]. We calculated the prevalence of each virus (percentage of positive individuals) with modified Wald 95% confidence intervals (Agresti & Coull, 1998). We calculated odds ratios with 95% confidence intervals and performed two-tailed Fisher's exact tests ('fisher.test' in R) to assess the association between sex (male or female) and viral infection. We used Mann-Whitney U tests ('wilcox.test' in R) to assess the association between sex and viral abundance in infected individuals. We compared viral richness (number of viruses per individual) and total viral abundance between the two sanctuaries using Mann-Whitney U tests.

Results

Virus characterization

Next-generation sequencing produced an average of 1,533,717 reads per sample (SD \pm 621,460) for TCRC and 1,589,629 (SD \pm 203,431) for NICS after filtering for quality and

length. From these data, we identified 20 viruses of four genome types (ssRNA-RT, dsRNA, ssDNA, and dsDNA) (Table 1 and Fig 2). We identified 12 of these viruses at TCRC and 11 at NICS which are 66.5–99.6% similar to their closest match in GenBank based on BLASTn percent identity. All but one of these viruses, an unclassified CRESS (circular rep-encoding single-stranded) DNA virus identified at TCRC (TCPTV-13), were classified into five viral families: *Circoviridae*, *Herpesviridae*, *Papillomaviridae*, *Picobirnaviridae*, and *Retroviridae*. At least one virus from each of these families was identified at both sanctuaries. For the families *Herpesviridae* and *Papillomaviridae*, viruses from two genera (*Cytomegalovirus* and *Lymphocryptovirus*; *Alphapapillomavirus* and *Gammapapillomavirus*) were identified. Detailed pairwise sequence comparisons between viruses identified in this study and known relatives (S2–S9 Tables) as well as within- and between-population genetic distances (S10 Table) are provided in the supplementary information.

Simian foamy virus Pan troglodytes troglodytes (*Retroviridae*: *Simiispumavirus*; SFVptr) was identified at TCRC, and simian foamy virus Pan troglodytes schweinfurthii (SFVpsc) was identified at NICS (Fig 3). The TCRC SFVptr variant shares 96% Bet nucleotide sequence (NT) identity to known SFVptr variants (JQ867463, JQ867462, AF232917, AF232918) (S2 Table). The NICS SFVpsc variant shares 98% Bet NT identity with known SFVpsc variants (KX087159, U21247, EU381240).

We identified eight picobirnaviruses (*Picobirnaviridae*: *Orthopicobirnavirus*), all of which clustered phylogenetically in genogroup 1 except TCPTV-7 which clustered in genogroup 2 (S1 Fig). Picobirnavirus diversity within and between the two sanctuaries was similar (S3 and S10 Tables). Of the cycloviruses (*Circoviridae*: *Cyclovirus*) identified in this study (TCPTV-12, NAPT-15, ChimpACyV2, NAPT-17), two contain introns in their replicase genes (TCPTV-12 and ChimpACyV2), which has been reported for other cycloviruses [73] (S2 Fig and S4 Table). We identified the complete genome for ChimpACyV2 and NAPT-17. ChimpACyV2 is most closely related to a cyclovirus identified in shrew feces (AB937982; [74]) to which it shares 75.4% genome-wide NT identity. Based on ICTV guidelines for cyclovirus species demarcation (<80% genome-wide NT identity; [73]), ChimpACyV2 represents a novel species. NAPT-17 shares 91% genome-wide NT identity with a mongoose associated cyclovirus (MZ382573; [75]), a novel species that has not yet been formally classified [76], making NAPT-17 a member of this putative species [73]. A single unclassified CRESS DNA virus (TCPTV-13) was identified at TCRC (S2 Fig and S2 and S5 Tables).

Pan paniscus papillomavirus type 1 (*Papillomavirus*: *Alphapapillomavirus*; PpPV1) was identified at each sanctuary (Fig 4A). The TCRC and NICS PpPV1 variants share 98.6% L1 NT identity (S6 Table). We also identified a novel alphapapillomavirus, Pan troglodytes papillomavirus type 1 (PtroPV1), at both sanctuaries. These variants share 99.9% L1 NT identity. PtroPV1 is most closely related to human papillomavirus type 177 (KR816168; 85% L1 NT identity) and represents a novel papillomavirus type based on the papillomavirus type demarcation threshold (<90% complete L1 NT identity) [77–79]. A single gammapapillomavirus (TCPTV-16; *Papillomaviridae*: *Gammapapillomavirus*) was identified at TCRC (Fig 4B and S7 Table).

We identified chimpanzee cytomegalovirus (CCMV) (*Herpesviridae*: *Cytomegalovirus*) at NICS which shares 95% DNA polymerase NT identity to the original CCMV (AF480884) and 81% to human cytomegalovirus (AY446894) (Fig 5A and S8 Table). Lastly, we identified Pan troglodytes lymphocryptovirus 1 (PtroLCV-1) (*Herpesviridae*: *Lymphocryptovirus*) at each sanctuary (Fig 5B). These variants share 99.8% DNA polymerase NT identity to each other, 99.0% to the original PtroLCV-1 (AF534226), and 92% to Epstein-Barr virus (AJ507799) (S9 Table).

Table 1. Viruses in saliva from sanctuary chimpanzees at TCRC and NICS.

ID	Virus Name	Sanctuary	Abbreviation	Genome	Family ^a	Genus ^a	Closest match (source, location, year, accession) ^b	E-Value ^b	% ID (NT) ^b	Accession ^c
1	simian foamy virus Pan troglodytes schweinfurthii	NICS	SFVpsc	ssRNA-RT	<i>Retroviridae</i>	<i>Simiispumavirus</i>	Human foamy virus (human, Germany, EU381420)	0	97.95	OP934216
2	simian foamy virus Pan troglodytes troglodytes	TCRC	SFVptr	ssRNA-RT	<i>Retroviridae</i>	<i>Simiispumavirus</i>	Human spumaretrovirus (chimpanzee, AF232918)	0	96.53	OP934220
3	nabpantry virus 12	NICS	NAPTV-12	dsRNA (segmented)	<i>Picobirnaviridae</i>	<i>Orthopicobirnavirus</i>	Picobirnavirus sp. (human, Netherlands, 2016, OK562155)	2.00E-87	66.54	OP934217
4	nabpantry virus 13	NICS	NAPTV-13	dsRNA (segmented)	<i>Picobirnaviridae</i>	<i>Orthopicobirnavirus</i>	Marmot picobirnavirus (marmot, China, 2013, KY928684)	0	71.41	OP934218
5	nabpantry virus 14	NICS	NAPTV-14	dsRNA (segmented)	<i>Picobirnaviridae</i>	<i>Orthopicobirnavirus</i>	Porcine picobirnavirus (pig, USA, 2018, MW977424)	0	75.72	OP934219
6	ticpantry virus 7	TCRC	TCPTV-7	dsRNA (segmented)	<i>Picobirnaviridae</i>	<i>Orthopicobirnavirus</i>	Chimpanzee picobirnavirus (chimpanzee, Sierra Leone, 2013–2016, MT350351)	0	97.96	OP934221
7	ticpantry virus 8	TCRC	TCPTV-8	dsRNA (segmented)	<i>Picobirnaviridae</i>	<i>Orthopicobirnavirus</i>	Picobirnavirus sp. (cow, 2017–2019, China, MZ556513)	0	73.46	OP934222
8	ticpantry virus 9	TCRC	TCPTV-9	dsRNA (segmented)	<i>Picobirnaviridae</i>	<i>Orthopicobirnavirus</i>	Porcine picobirnavirus (pig, USA, 2018, MW977506)	0	87.26	OP934223
9	ticpantry virus 10	TCRC	TCPTV-10	dsRNA (segmented)	<i>Picobirnaviridae</i>	<i>Orthopicobirnavirus</i>	Picobirnavirus sp. (human, Cameroon, 2014, MH933806)	0	81.72	OP934224
10	ticpantry virus 11	TCRC	TCPTV-11	dsRNA (segmented)	<i>Picobirnaviridae</i>	<i>Orthopicobirnavirus</i>	Human picobirnavirus (human, USA, 2018, OL875327)	0	89.13	OP934225
11	nabpantry virus 15	NICS	NAPTV-15	ssDNA (circular)	<i>Circoviridae</i>	<i>Cyclovirus</i>	Cyclovirus Chimp53 (chimpanzee, Cameroon, 2003, GQ404881)	0	95.15	OP934203
12	chimpanzee associated cyclovirus 2	NICS	ChimpACyV2	ssDNA (circular)	<i>Circoviridae</i>	<i>Cyclovirus</i>	Cyclovirus ZM36a (shrew, Zambia, 2012, AB937982)	0	90.41	OP934204
13	nabpantry virus 17	NICS	NAPTV-17	ssDNA (circular)	<i>Circoviridae</i>	<i>Cyclovirus</i>	Mongoose-associated cyclovirus (mongoose, Saint Kitts and Nevis, 2017, MZ382573)	0	93.17	OP934205
14	ticpantry virus 12	TCRC	TCPTV-12	ssDNA (circular)	<i>Circoviridae</i>	<i>Cyclovirus</i>	Swine cyclovirus (pig, Cameroon, 2012, KM392285)	0	97.10	OP934208

(Continued)

Table 1. (Continued)

ID	Virus Name	Sanctuary	Abbreviation	Genome	Family ^a	Genus ^a	Closest match (source, location, year, accession) ^b	E-Value ^b	% ID (NT) ^b	Accession ^c
15	ticpantry virus 13	TCRC	TCPTV-13	ssDNA (circular)	Unclassified	Unclassified	Circovirus sp. (pig, China, 2017, MK377638)	2.00E-92	70.64	OP934209
16	Pan paniscus papillomavirus type 1	NICS	PpPV1	dsDNA (circular)	Papillomaviridae	Alphapapillomavirus	Common chimpanzee papillomavirus 1 (chimpanzee, AF020905)	0	95.94	OP934206
17	Pan troglodytes papillomavirus type 1	NICS	PtroPV1	dsDNA (circular)	Papillomaviridae	Alphapapillomavirus	Human papillomavirus type 177 (human, KR816168)	0	84.16	OP934207
18	Pan paniscus papillomavirus type 1	TCRC	PpPV1	dsDNA (circular)	Papillomaviridae	Alphapapillomavirus	Common chimpanzee papillomavirus 1 (chimpanzee, AF020905)	0	95.39	OP934210
19	Pan troglodytes papillomavirus type 1	TCRC	PtroPV1	dsDNA (circular)	Papillomaviridae	Alphapapillomavirus	Human papillomavirus type 177 (human, KR816168)	0	84.16	OP934211
20	ticpantry virus 16	TCRC	TCPTV-16	dsDNA (circular)	Papillomaviridae	Gammapapillomavirus	Human papillomavirus (human, USA, 2015, MH777284)	7.00E-152	78.55	OP934212
21	chimpanzee cytomegalovirus	NICS	CCMV	dsDNA (linear)	Herpesviridae	Cytomegalovirus	Panine betaherpesvirus 2 (chimpanzee, Germany, 2020, MZ151943)	0	94.12	OP934213
22	Pan troglodytes lymphocryptovirus 1	NICS	PtroLCV-1	dsDNA (linear)	Herpesviridae	Lymphocryptovirus	Macaca arctoides gammaherpesvirus 1 (macaque, Georgia, 1985, MG471437)	0	93.47	OP934214
23	Pan troglodytes lymphocryptovirus 1	TCRC	PtroLCV-1	dsDNA (linear)	Herpesviridae	Lymphocryptovirus	Pan paniscus lymphocryptovirus 1 (bonobo, AF534220)	0	99.56	OP934215

^a Determined by phylogenetic analyses. See Figs 3–5 and S1, S2 Figs.

^b Closest match, E-value, and percent identity (nucleotide) were identified by querying the target gene (Bet (*Retroviridae*), polymerase (*Picobirnaviridae*, *Herpesviridae*), Rep (*Circoviridae*), and L1 (*Papillomaviridae*)) nucleotide sequences against the NCBI's nonredundant nucleotide database using the discontinuous megablast homology searching algorithm. Length of target gene obtained for each virus and genome information is reported in S11 Table.

^c GenBank accession number of viral sequence from this study.

<https://doi.org/10.1371/journal.pone.0288007.t001>

Viral prevalence

Overall, viral prevalence ranged from 4.2% to 87.5%. At TCRC, a cyclovirus and PtroPV1 were the most prevalent (53.3%; 95% confidence interval (CI): 33%, 70.8%). At NICS, PtroLCV-1 was the most prevalent virus (87.5% CI: 68.2%, 96.5%). The least prevalent viruses at TCRC were the gammapapillomavirus (TCPTV-16) and PpPV1, each infecting one individual (4.3% CI: <0.01%, 22.7%). At NICS, a cyclovirus (NAPTV-15) was the least prevalent (4.2% CI:

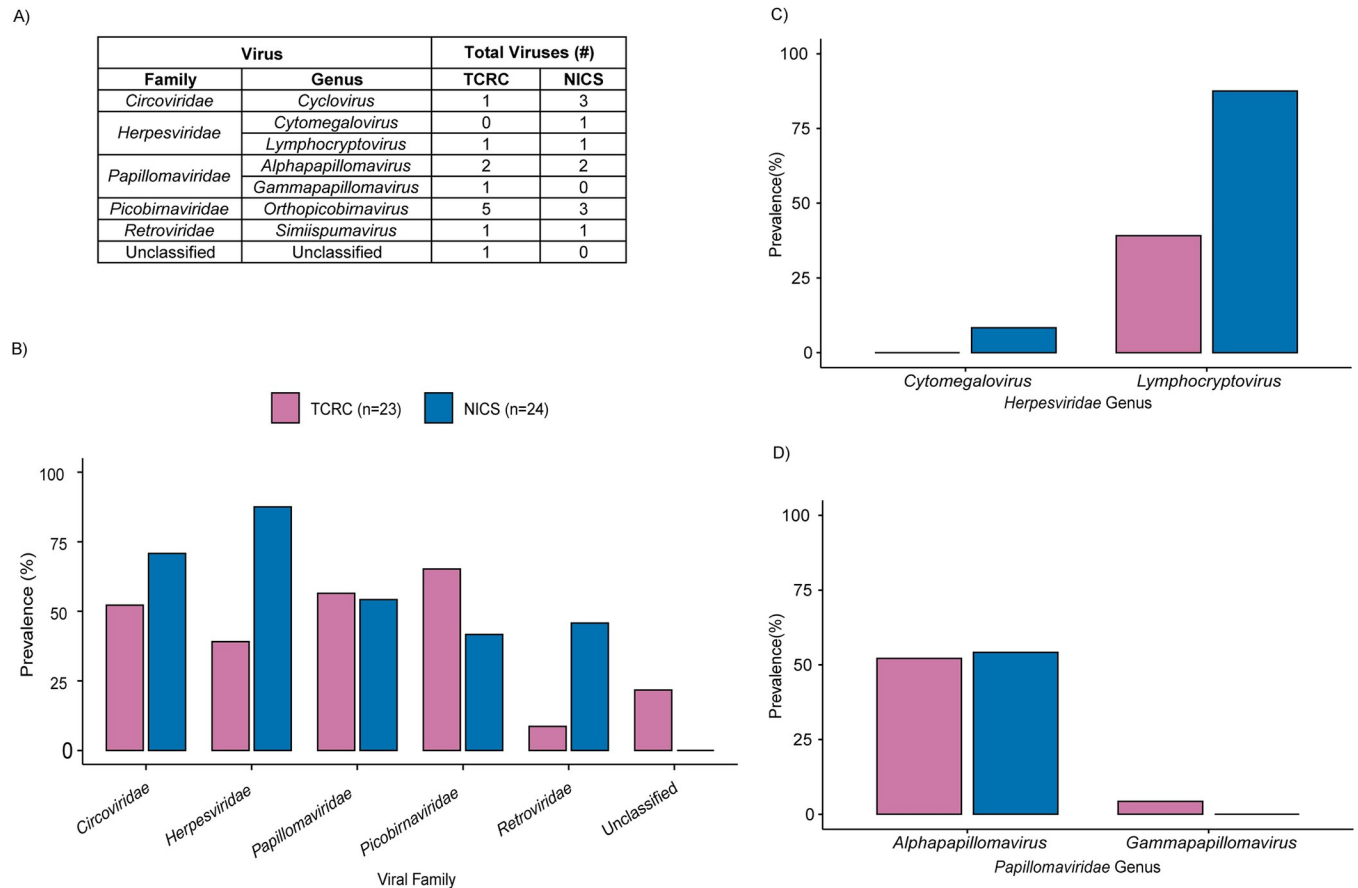


Fig 2. Prevalence of viruses identified in saliva from chimpanzees at TCRC and NICS. (A) Total number of viruses in each family and genus identified at TCRC and NICS. Family and genus were determined using phylogenetic analyses (Figs 3–5 and S1, S2 Figs). (B) Barplot displays the proportion (%) of individuals at each sanctuary who were positive for at least one virus in the family. (C) Barplot displays the proportion of individuals at each sanctuary who were positive for at least one virus in each identified *Papillomaviridae* genus. (D) Barplot displays the proportion of individuals at each sanctuary who were positive for a virus in each identified *Herpesviridae* genus.

<https://doi.org/10.1371/journal.pone.0288007.g002>

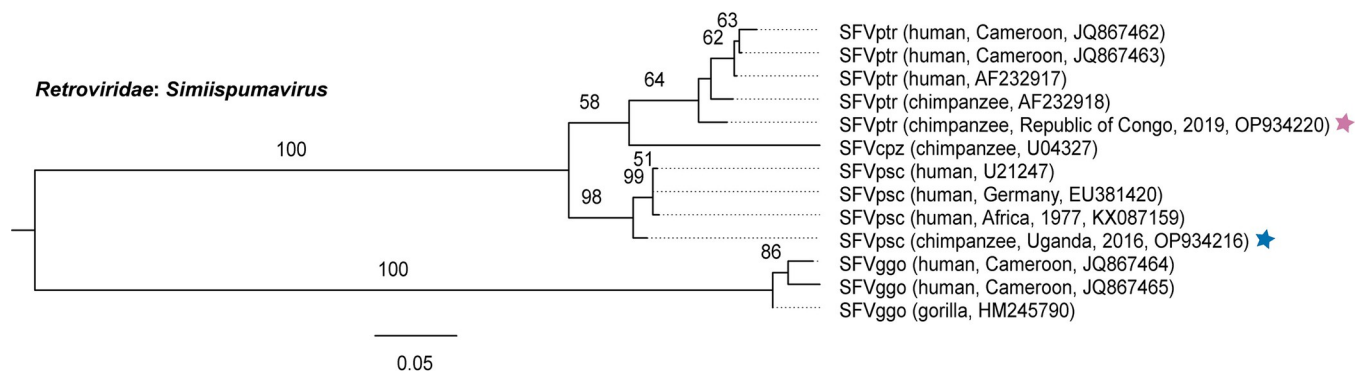


Fig 3. Maximum-likelihood phylogenetic tree of simian foamy virus Bet gene nucleotide sequences. Viruses identified in this study are marked with a colored star to indicate the sanctuary of origin (purple = TCRC, blue = NICS). Virus names are followed by (host, location, year, GenBank accession number). Bootstrap values $\geq 50\%$ are represented by numbers beside branches (1000 replicates). Scale bar is equal to nucleotide substitutions per site.

<https://doi.org/10.1371/journal.pone.0288007.g003>

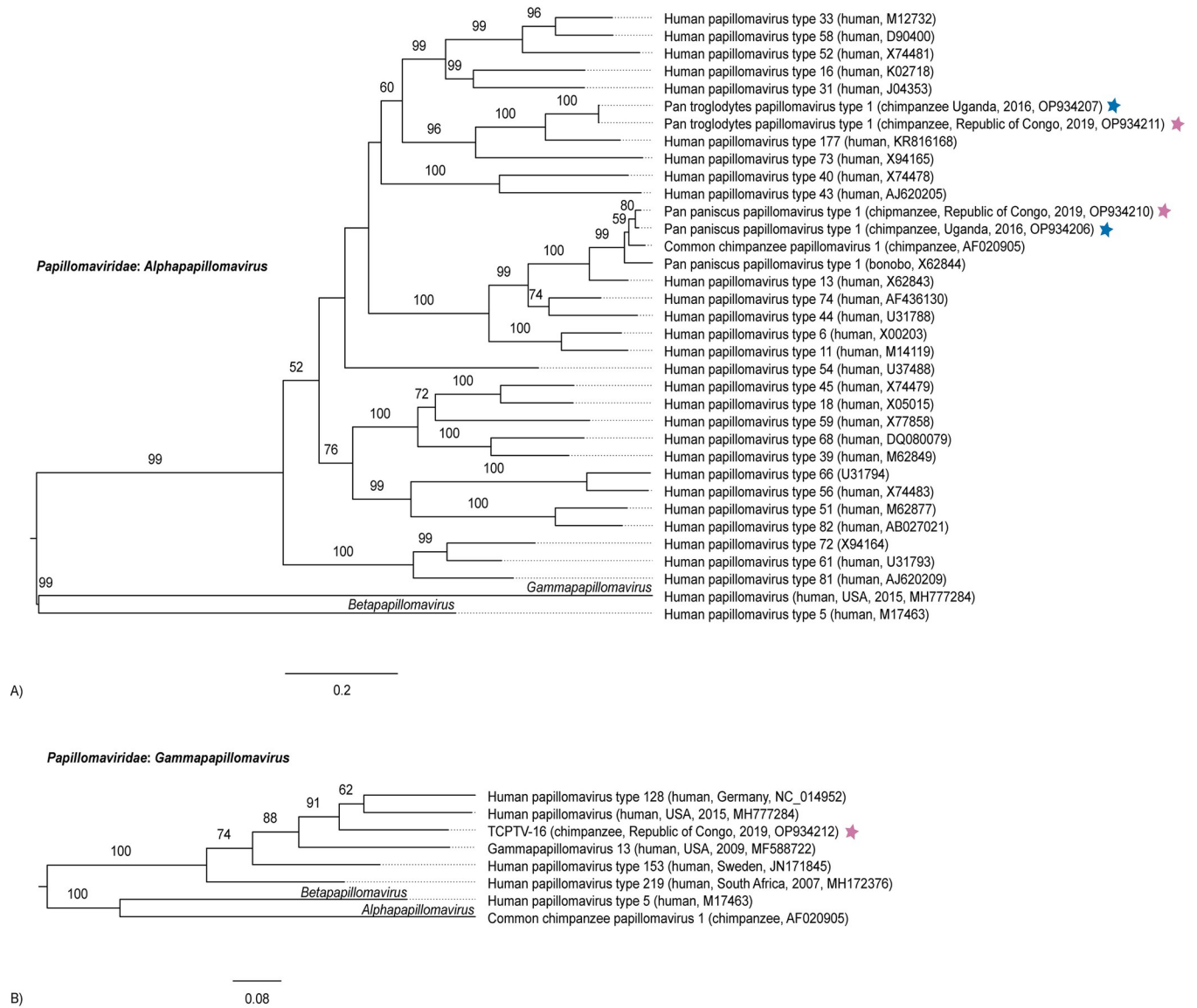


Fig 4. Maximum likelihood phylogenetic trees of papillomavirus L1 gene nucleotide sequences. (A) alphapapillomaviruses and (B) gammapapillomaviruses. Viruses identified in this study are marked with a colored star to indicate the sanctuary of origin (purple = TCRC, blue = NICS). Virus names are followed by (host, location, year, GenBank accession number). Bootstrap values $\geq 50\%$ are represented by numbers beside branches (1000 replicates). Scale bar is equal to nucleotide substitutions per site.

<https://doi.org/10.1371/journal.pone.0288007.g004>

$<0.01\%$, 21.9%). Viral prevalence by family and genus is shown in Fig 2. The prevalence of individual viruses (overall and by sex) is listed in S12 Table. There were no statistically significant associations between viral presence and sex.

Viral richness and abundance

Viral richness ranged from 0 to 7 at both sanctuaries (Fig 6A and S13, S14 Tables). The average viral richness was 2.8 (SD ± 1.8) at TCRC and 3.5 (SD ± 1.5) at NICS. Viral abundance (\log_{10} vRPM/kb) ranged among viruses and individuals from 0 to 4.22 at TCRC and 0 to 3.51 at NICS (Fig 6B, S3 Fig, and S13, S14 Tables). Among infected individuals, the virus with the highest abundance was NAPTV-15 (1.65), and the virus with the lowest abundance was

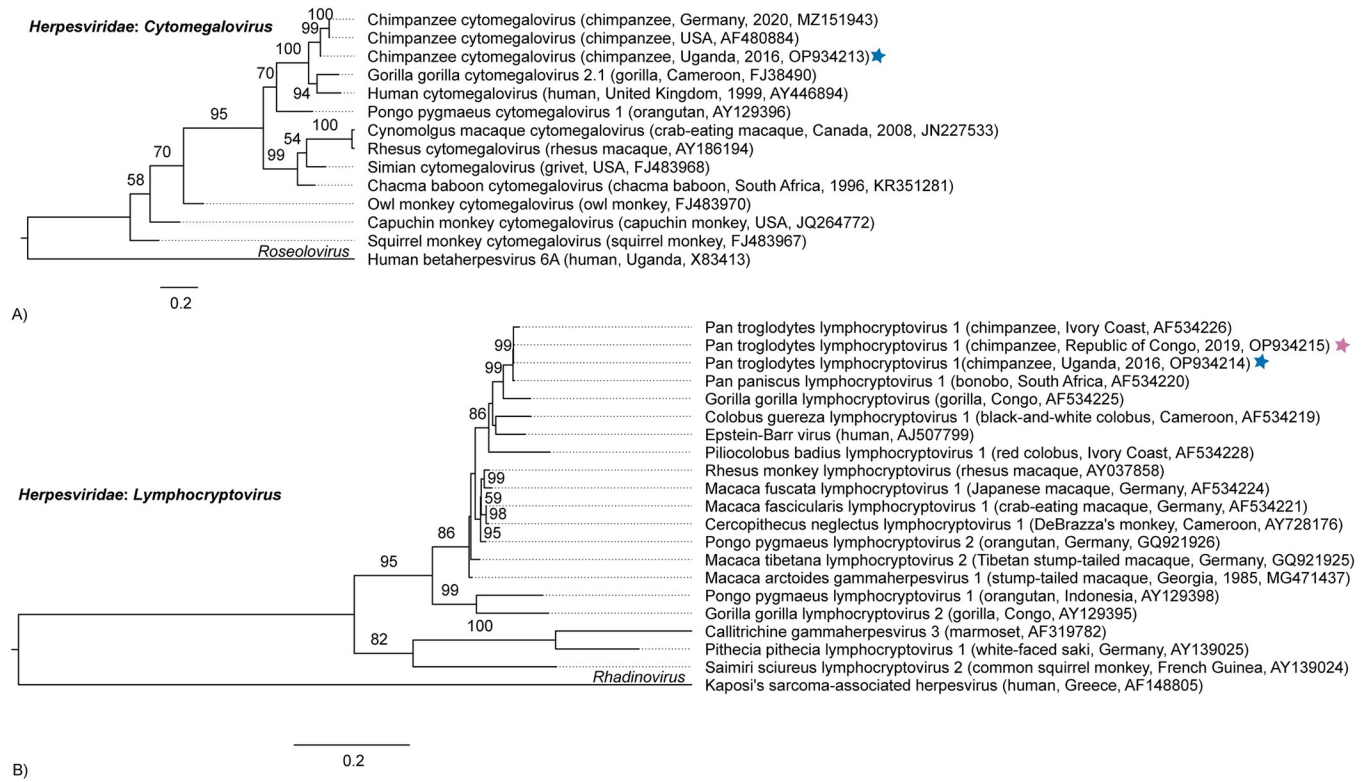


Fig 5. Maximum likelihood phylogenetic trees of herpesvirus DNA polymerase catalytic subunit gene nucleotide sequences. (A) cytomegaloviruses and (B) lymphocryptoviruses. Viruses identified in this study are marked with a colored star to indicate the sanctuary of origin (purple = TCRC, blue = NICS). Virus names are followed by (host, location, year, GenBank accession number). Bootstrap values $\geq 50\%$ are represented by numbers beside branches (1000 replicates). Scale bar is equal to nucleotide substitutions per site.

<https://doi.org/10.1371/journal.pone.0288007.g005>

NAPT-17 (0.62), both cycloviruses. Total viral abundance (all viruses combined) was on average 0.63 (SD ± 0.7) at TCRC and 0.97 (SD ± 0.8), reaching a maximum of 3.23 at TCRC and 2.8 at NICS. We compared the distribution viral richness and total viral abundance at TCRC and NICS and did not observe a statistically significant difference (p-values: viral richness 0.19 and total viral abundance 0.07). For each sample, the number of sequencing reads mapping to each virus is reported in S15, S16 Tables.

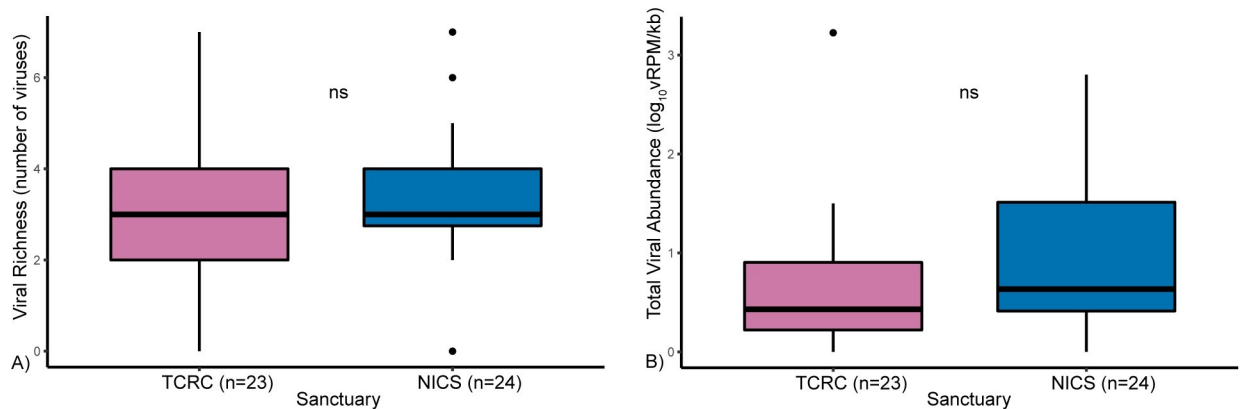


Fig 6. Boxplots of (A) viral richness and (B) total viral abundance for TCRC and NICS chimpanzees. Mann-Whitney U test comparisons between TCRC and NICS populations were not statistically significant (ns).

<https://doi.org/10.1371/journal.pone.0288007.g006>

Discussion

We identified a total of 20 viruses in saliva samples from two populations of wild-born, sanctuary-housed chimpanzees in Africa. Of the viruses identified, none are known to cause disease in chimpanzees or humans. Chimpanzees at these two sanctuaries were infected with viruses from the same families and genera including highly similar variants of two papillomaviruses and a herpesvirus (i.e., PpPV1, PtroPV1, and PtroLCV-1). With the exception of papillomaviruses, all types of viruses identified in this study have been documented previously in fecal samples from wild chimpanzees [48, 52, 53, 80–82]. Additionally, herpesviruses and SFV have been detected in tissues from deceased wild chimpanzees [83–87].

NHPs of many species are persistently infected with SFVs, which replicate in the superficial epithelial cells of the oral mucosa but do not cause known pathology [44, 88, 89]. Herpesviruses, also ubiquitous, naturally establish persistent, latent infections in primates and are intermittently shed in saliva [90, 91]. Several human herpesviruses (e.g., Epstein-Barr virus, human cytomegalovirus) are opportunistic pathogens, particularly in immunocompromised individuals [92, 93]. Mountain gorilla lymphocryptovirus has been associated with Epstein-Barr virus-like (human lymphocryptovirus) pathology in infant mountain gorillas [91]. Epstein-Barr virus-like pathology has not been documented for chimpanzees infected with PtroLCV-1. The true hosts of CRESS DNA viruses, including cycloviruses [73, 75, 76, 94], and picobirnaviruses [95, 96] are unknown, although arthropods and bacteria or fungi, respectively, are suspected. Thus, these viruses, neither of which are considered pathogenic, may actually represent dietary or environmental contaminants and not viral infection in chimpanzees [76, 95, 97, 98].

Papillomavirus infections can be persistent or transient and are usually asymptomatic or cause mild disease. Papillomaviruses have been detected in healthy skin swabs from zoo-housed chimpanzees and in oral cavity samples from laboratory-housed chimpanzees exhibiting focal epithelial hyperplasia [35, 99]. Previously, vaginal swabs from chimpanzees at NICS were tested for papillomaviruses using PCR, which yielded negative results [100]. Some papillomavirus types do cause disease (e.g., cervical cancer in humans and macaques) [101–103]. However, PpPV1 and PtroPV1 are distantly related to the carcinogenic human papillomavirus types, 16 and 18 (K02718 and X05015; 69–75% L1 NT identity; S6 Table) [104, 105]. In fact, PpPV1 clusters phylogenetically with members of the species *Alphapapillomavirus 10* which are associated with benign oral conditions such as focal epithelial hyperplasia in humans, chimpanzees, and bonobos [34–36, 77]. PtroPV1, the novel alphapapillomavirus identified in this study, is most closely related to human papillomaviruses of species *Alphapapillomavirus 11* including human papillomavirus type 73 which is classified as possibly carcinogenic to humans [105, 106].

Zoonotic transmission of SFVs has been documented both in the wild and in captivity [11, 14, 15, 47, 107, 108], but infections have not been shown to be pathogenic in the human host [88]. The SFVs detected in this study cluster phylogenetically with known SFV variants from central chimpanzees (*P. t. troglodytes*, SFVptr) and eastern chimpanzees (*P. t. schweinfurthii*, SFVpsc), consistent with virus-host co-speciation [109]. Herpesviruses are generally considered host-specific; however, the ability for cross-species transmission of herpesviruses between humans and NHPs is known for members of the subfamily *Alphaherpesvirinae* (i.e., herpes B virus, herpes simplex virus) [20, 110]. In contrast, transmission of cytomegaloviruses and lymphocryptoviruses between primates of different species (including humans) has not been documented, even where exposure would be high, such as in a chimpanzee and colobus monkey predator-prey system in the wild [81, 110–113]. Like most herpesviruses, papillomaviruses also demonstrate host-specificity [79]. Zoonotic transmission of papillomaviruses between chimpanzees and humans has not been reported.

Overall, our findings show that the sanctuary chimpanzees we analyzed are shedding viruses in their saliva that are known to replicate in the oral cavity but, to our knowledge, do not pose a risk to chimpanzee or human health. This conclusion is important because frequent contact between sanctuary apes and human staff has been an ongoing concern for sanctuary management [6]. Surveys of NHP workers in field, laboratory, zoo, or sanctuary settings have reported NHP bites in ~40% of workers [114, 115]. Contact with chimpanzee oral fluids could also occur during feeding, cleaning of enclosures, and especially during intensive rehabilitation of newly rescued individuals. Fortunately, our results suggest that the likelihood of sanctuary personnel acquiring pathogenic viral infections from chimpanzee saliva is low, at least in the sanctuaries we studied. Nevertheless, measures to minimize this risk should be taken particularly when viral infection status of sanctuary chimpanzees is unknown, which is often the case, and to avoid other sequelae (e.g., bacterial infection from bites [10]).

We emphasize that our results are specific to viruses in saliva, which may not reflect viruses in other body compartments. For example, we previously described viruses in plasma from TCRC and NICS chimpanzees (from primarily different individuals at TCRC but the same individuals at NICS) [27], but no viruses identified in this previous study of plasma were found in the present study of saliva (distinct picobirnaviruses were identified in both sample types) (S17 Table). We did, however, detect PtroLCV-1 at NICS, which has been previously detected in the blood buffy coat of these chimpanzees, but we did not detect herpesviruses in the genus *Rhadinovirus* which have also been previously detected at NICS [116]. Given that we detected other herpesviruses in this study, we suspect that the latter difference is due to intermittent shedding of herpesviruses in saliva [117, 118]. Likewise, SFV has also been detected in chimpanzees at NICS using buffy coat from blood [6]. Our results share little overlap with prior work using fecal samples from sanctuary chimpanzees to detect viruses which have primarily utilized virus-specific diagnostics (i.e., PCR). Notably, PtroLCV-1 was detected at lower prevalence in feces (3/21; 14.3%) [119] from NICS chimpanzees than in buffy coat (14/40; 35%) [116] or here in saliva (21/24; 87.5%). Lastly, we recognize that we are unable to comment on the infectivity and transmissibility of the viruses identified in this study as our methods do not distinguish between viral nucleic acids and infectious viruses [61].

Non-invasive saliva sampling has been utilized, albeit infrequently in comparison to fecal samples, to assess the health of wild chimpanzee populations. In wild western chimpanzees (*P. t. verus*), saliva collected non-invasively from food wadges has been used to detect *Staphylococcus* and *Streptococcus* spp. and monkeypox virus [40, 120–122]. Chewed ropes and vegetation have been used to detect herpesviruses and SFVs in saliva from wild mountain gorillas, olive baboons (*Papio anubis*), rhesus macaques (*M. mulatta*), and golden monkeys (*Cercopithecus kandti*) [23, 41, 91, 123]. Flavored chew swabs have been utilized to detect *Mycobacterium tuberculosis* in free-ranging macaques [124]. Our results suggest that metagenomic methods might be beneficial if combined with these or similar collection methods.

NHP sanctuary managers are faced with the need to develop long-term solutions to balance ongoing demand for care and capacity limits [125, 126]. In light of this, our findings add to prior studies that have shown that wild-born chimpanzees housed at sanctuaries appear broadly healthy with respect to viral infections [27], cardiovascular [127], endocrine [49, 51], and psychological health [51], in some ways similar to wild populations. We envision that our methods could be used to screen newly rescued individuals for viral pathogens upon arrival at a sanctuary, to prevent the introduction of orally transmitted pathogens, and to make decisions about husbandry and management of infected individuals, including decisions about relocation and reintroduction [24, 128].

Supporting information

S1 Fig. Maximum-likelihood phylogenetic tree of picobirnavirus RNA dependent RNA polymerase gene nucleotide sequences. Viruses identified in this study are marked with a colored star to indicate the sanctuary of origin (purple = TCRC, blue = NICS). Virus names are followed by (host, location, year, GenBank accession number). Bootstrap values (%) ≥ 50 are represented by numbers beside branches (1000 replicates). Scale bar is equal to nucleotide substitutions per site.

(TIF)

S2 Fig. Maximum-likelihood phylogenetic trees of cyclovirus and unclassified CRESS DNA virus replicase gene nucleotide sequences. Viruses identified in this study are marked with a colored star to indicate the sanctuary of origin (purple = TCRC, blue = NICS). Virus names are followed by (host, location, year, GenBank accession number). Bootstrap values (%) ≥ 50 are represented by numbers beside branches (1000 replicates). Scale bar is equal to nucleotide substitutions per site.

(TIF)

S3 Fig. Heatmap of saliva viral abundance of sanctuary chimpanzees at TCRC and NICS. Displays viral abundance data (\log_{10} vRPM/kb) for each genus and total viral abundance data (\log_{10} vRPM/kb for all viruses) for each individual at each sanctuary. Values range from 0 (lightest) to 4.22 (darkest). ^a Genus refers to [Table 1](#) and [Fig 2](#). ^b For individuals infected with more than one virus from a genus, the average viral abundance is shown.

(TIF)

S1 Table. Detailed sample inventory.

(XLSX)

S2 Table. Pairwise sequence comparisons of simian foamy viruses.

(XLSX)

S3 Table. Pairwise sequence comparisons of picobirnaviruses.

(XLSX)

S4 Table. Pairwise sequence comparisons of cycloviruses.

(XLSX)

S5 Table. Pairwise sequence comparisons of CRESS DNA viruses.

(XLSX)

S6 Table. Pairwise sequence comparisons of alphapapillomaviruses.

(XLSX)

S7 Table. Pairwise sequence comparisons of gammapapillomaviruses.

(XLSX)

S8 Table. Pairwise sequence comparisons of cytomegaloviruses.

(XLSX)

S9 Table. Pairwise sequence comparisons of lymphocryptoviruses.

(XLSX)

S10 Table. Within- and between-population (sanctuary) genetic distances of viruses identified in this study.

(XLSX)

S11 Table. Sequence information for viruses identified in this study.
(XLSX)

S12 Table. Prevalence and univariate statistical associations between sex (male or female) and prevalence and abundance of viruses in saliva from chimpanzees at TCRC and NICS.
(XLSX)

S13 Table. Viral richness and viral abundance for TCRC chimpanzees.
(XLSX)

S14 Table. Viral richness and viral abundance for NICS chimpanzees.
(XLSX)

S15 Table. Sequencing reads mapping to viruses identified in saliva from TCRC chimpanzees.
(XLSX)

S16 Table. Sequencing reads mapping to viruses identified in saliva from NICS chimpanzees.
(XLSX)

S17 Table. Reported viral diversity by ante-mortem sample type for sanctuary chimpanzees in Africa.
(XLSX)

S1 File. Reference list for S17 Table.
(DOCX)

Acknowledgments

We are grateful to the Republic of Congo Ministry of Scientific Research and Technological Innovation and Jane Goodall Institute Congo for research approval at TCRC as well as the Uganda Wildlife Authority, the Uganda National Council for Science and Technology, and Chimpanzee Sanctuary and Wildlife Conservation Trust for research approval at NICS. We thank Sofia Fernandez-Navarro, Rosemary Bettle, Alex Tumukunde, Titus Mukungu, and the animal caretakers and staff at both sites for assistance with data collection, and Emily Otali and Audrey Salvy for assistance with research permissions. We also thank Koenraad Van Doorslaer for assistance with papillomavirus genome annotation and virus naming and Christopher Dunn for assistance in the lab.

Author Contributions

Conceptualization: Emily Dunay, Melissa Emery Thompson, Alexandra G. Rosati, Tony L. Goldberg.

Formal analysis: Emily Dunay.

Funding acquisition: Emily Dunay, Melissa Emery Thompson, Alexandra G. Rosati, Tony L. Goldberg.

Investigation: Emily Dunay, Joshua Rukundo, Rebeca Atencia, Megan F. Cole, Averill Cantwell, Melissa Emery Thompson, Alexandra G. Rosati, Tony L. Goldberg.

Methodology: Emily Dunay, Joshua Rukundo, Rebeca Atencia, Melissa Emery Thompson, Alexandra G. Rosati, Tony L. Goldberg.

Resources: Joshua Rukundo, Rebeca Atencia, Melissa Emery Thompson, Alexandra G. Rosati, Tony L. Goldberg.

Supervision: Melissa Emery Thompson, Alexandra G. Rosati, Tony L. Goldberg.

Writing – original draft: Emily Dunay, Tony L. Goldberg.

Writing – review & editing: Emily Dunay, Joshua Rukundo, Rebeca Atencia, Megan F. Cole, Averill Cantwell, Melissa Emery Thompson, Alexandra G. Rosati, Tony L. Goldberg.

References

1. Ferrie GM, Farmer KH, Kuhar CW, Grand AP, Sherman J, Bettinger TL. The social, economic, and environmental contributions of Pan African Sanctuary Alliance primate sanctuaries in Africa. *Biodivers Conserv*. 2014 Jan 1; 23(1):187–201.
2. Stokes R, Tully G, Rosati AG. Pan African Sanctuary Alliance: securing a future for the African great apes. *Int Zoo Yearb*. 2018; 52(1):173–81.
3. Dunay E, Apakupakul K, Leard S, Palmer JL, Deem SL. Pathogen Transmission from Humans to Great Apes is a Growing Threat to Primate Conservation. *EcoHealth*. 2018 Mar 1; 15(1):148–62. <https://doi.org/10.1007/s10393-017-1306-1> PMID: 29362964
4. Owens LA, Colitti B, Hirji I, Pizarro A, Jaffe JE, Moittié S, et al. A *Sarcina* bacterium linked to lethal disease in sanctuary chimpanzees in Sierra Leone. *Nat Commun*. 2021 Feb 3; 12(763):1–16.
5. Devaux CA, Mediannikov O, Medkour H, Raoult D. Infectious disease risk across the growing human-non human primate interface: a review of the evidence. *Front Public Health*. 2019; 7:305. <https://doi.org/10.3389/fpubh.2019.00305> PMID: 31828053
6. Mugisha L, Kucherer C, Ellerbrok H, Junglen S, Opuda-Asibo J, Joseph OO, et al. Retroviruses in wild-born semi-captive East African sanctuary chimpanzees (*Pan troglodytes schweinfurthii*). *Open Vet Sci J*. 2010a; 4(1):6–10.
7. Bréhin C, Debuissou C, Mansuy JM, Niphuis H, Buitendijk H, Mengelle C, et al. Keep children away from macaque monkeys! *J Travel Med*. 2016 Mar; 23(3):1–2. <https://doi.org/10.1093/jtm/taw006> PMID: 26984356
8. Campbell AC. Primate bites in Gibraltar—minor casualty quirk? *Scott Med J*. 1989 Oct; 34(5):519–20. <https://doi.org/10.1177/003693308903400503> PMID: 2587978
9. Dortu J. Leg ulcer caused by a monkey's bite. *Phlebologie*. 1978; 31(2):113–7.
10. Goldstein EJ, Pryor EP, Citron DM. Simian bites and bacterial infection. *Clin Infect Dis*. 1995 Jun; 20(6):1551–2. <https://doi.org/10.1093/clinids/20.6.1551> PMID: 7548509
11. Mouinga-Ondémé A, Kazanji M. Simian foamy virus in non-human primates and cross-species transmission to humans in Gabon: an emerging zoonotic disease in central Africa? *Viruses*. 2013 Jun 19; 5(6):1536–52. <https://doi.org/10.3390/v5061536> PMID: 23783811
12. Filippone C, Betsem E, Tortevoeye P, Cassar O, Bassot S, Froment A, et al. A severe bite from a non-human primate is a major risk factor for HTLV-1 infection in hunters from Central Africa. *Clin Infect Dis*. 2015 Jun 1; 60(11):1667–76. <https://doi.org/10.1093/cid/civ145> PMID: 25722199
13. Kazanji M, Mouinga-Ondémé A, Lekana-Douki-Etenna S, Caron M, Makuwa M, Mahieux R, et al. Origin of HTLV-1 in hunters of nonhuman primates in Central Africa. *J Infect Dis*. 2015 Feb 1; 211(3):361–5. <https://doi.org/10.1093/infdis/jiu464> PMID: 25147276
14. Switzer WM, Bhullar V, Shanmugam V, Cong M er, Parekh B, Lerche NW, et al. Frequent simian foamy virus infection in persons occupationally exposed to nonhuman primates. *J Virol*. 2004 Mar; 78(6):2780–9. <https://doi.org/10.1128/jvi.78.6.2780-2789.2004> PMID: 14990698
15. Wolfe ND, Switzer WM, Carr JK, Bhullar VB, Shanmugam V, Tamoufe U, et al. Naturally acquired simian retrovirus infections in central African hunters. *The Lancet*. 2004 Mar 20; 363(9413):932–7. [https://doi.org/10.1016/S0140-6736\(04\)15787-5](https://doi.org/10.1016/S0140-6736(04)15787-5) PMID: 15043960
16. Corstjens PLAM, Abrams WR, Malamud D. Saliva and viral infections. *Periodontol 2000*. 2016 Feb; 70(1):93–110. <https://doi.org/10.1111/prd.12112> PMID: 26662485
17. Dunmire SK, Verghese PS, Balfour HH. Primary Epstein-Barr virus infection. *J Clin Virol*. 2018 May 1; 102:84–92. <https://doi.org/10.1016/j.jcv.2018.03.001> PMID: 29525635
18. Salu OB, Akase IE, Anyanwu RA, Orenolu MR, Abdullah MA, Giwa-Tubosun T, et al. Saliva sample for detection of SARS-CoV-2: a possible alternative for mass testing. *PLoS One*. 2022; 17(9): e0275201. <https://doi.org/10.1371/journal.pone.0275201> PMID: 36170269

19. Hu G, Du H, Liu Y, Wu G, Han J. Herpes B virus: history, zoonotic potential, and public health implications. *Biosaf Health*. 2022 Aug 1; 4(4):213–9.
20. Gilardi KVK, Oxford KL, Gardner-Roberts D, Kinani J, Spelman L, Barry PA, et al. Human herpes simplex virus type 1 in confiscated gorilla. *Emerg Infect Dis*. 2014 Nov; 20(11):1883–6. <https://doi.org/10.3201/eid2011.140075> PMID: 25341185
21. Lerche NW, Osborn KG, Marx PA, Prahallada S, Maul DH, Lowenstine LJ, et al. Inapparent carriers of simian acquired immune deficiency syndrome type D retrovirus and disease transmission with saliva. *J Natl Cancer Inst*. 1986 Aug; 77(2):489–96. PMID: 3461210
22. Mitman S, Rosenbaum M, Bello R, Knapp C, Nutter F, Mendoza P. Challenges to IUCN guideline implementation in the rehabilitation and release of trafficked primates in Peru. *Primate Conserv*. 2021; 35:87–102. PMID: 35250169
23. Smiley Evans T, Lowenstine LJ, Ssebide B, Barry PA, Kinani JF, Nizeyimana F, et al. Simian homologues of human herpesviruses and implications for novel viral introduction to free-living mountain gorillas. *Am J Primatol*. 2023 Jan; 85(1):e23439. <https://doi.org/10.1002/ajp.23439> PMID: 36263518
24. Farmer KH. Pan-African Sanctuary Alliance: status and range of activities for great ape conservation. *Am J Primatol*. 2002; 58(3):117–32. <https://doi.org/10.1002/ajp.10054> PMID: 12454956
25. PASA. Pan African Sanctuary Alliance 2020 Annual Report [Internet]. 2020 [cited 2022 Dec 2]. Available from: <https://pasa.org/wp-content/uploads/2021/05/PASA-2020-Annual-Report.pdf>
26. Dunay E, Owens LA, Dunn CD, Rukundo J, Atencia R, Cole MF, et al. Viruses in sanctuary chimpanzees across Africa. *Am J Primatol*. 2023 Jan; 85(1):e23452. <https://doi.org/10.1002/ajp.23452> PMID: 36329642
27. Ross SR, Leinwand JG. A review of research in primate sanctuaries. *Biol Lett*. 2020 Apr 29; 16(4):20200033. <https://doi.org/10.1098/rsbl.2020.0033> PMID: 32228399
28. Guagliardo SAJ, Monroe B, Moundjoa C, Athanase A, Okpu G, Burgado J, et al. Asymptomatic orthopoxvirus circulation in humans in the wake of a monkeypox outbreak among chimpanzees in Cameroon. *Am J Trop Med Hyg*. 2020 Jan; 102(1):206–12. <https://doi.org/10.4269/ajtmh.19-0467> PMID: 31769389
29. Mombo IM, Berthet N, Lukashev AN, Bleicker T, Brünink S, Léger L, et al. First detection of an enterovirus C99 in a captive chimpanzee with acute flaccid paralysis, from the Tchimpounga Chimpanzee Rehabilitation Center, Republic of Congo. *PLoS One*. 2015 Aug 24; 10(8):e0136700. <https://doi.org/10.1371/journal.pone.0136700> PMID: 26301510
30. Mombo IM, Boundenga L, Berthet N, Atencia R, Cox D, Maganga GD, et al. A second genome sequence of an enterovirus C99 detected in a healthy chimpanzee. *Microbiol Resour Announc*. 2020; 9(42):e00893–20. <https://doi.org/10.1128/MRA.00893-20> PMID: 33060269
31. Abe K, Kurata T, Shikata T, Sugitani M, Oda T. Experimental transmission of non-A, non-B hepatitis by saliva. *J Infect Dis*. 1987 May; 155(5):1078–9. <https://doi.org/10.1093/infdis/155.5.1078> PMID: 3104482
32. Cohen JL, Feinstone S, Purcell RH. Hepatitis A virus infection in a chimpanzee: duration of viremia and detection of virus in saliva and throat swabs. *J Infect Dis*. 1989 Nov; 160(5):887–90. <https://doi.org/10.1093/infdis/160.5.887> PMID: 2572653
33. Glad WR, Nesland JM. Focal epithelial hyperplasia of the oral mucosa in two chimpanzees (*Pan troglodytes*). *Am J Primatol*. 1986; 10(1):83–9. <https://doi.org/10.1002/ajp.1350100108> PMID: 31979497
34. Hollander CF, van Noord MJ. Focal epithelial hyperplasia: a virus-induced oral mucosal lesion in the chimpanzee. *Oral Surg Oral Med Oral Pathol*. 1972 Feb; 33(2):220–6. [https://doi.org/10.1016/0030-4220\(72\)90391-x](https://doi.org/10.1016/0030-4220(72)90391-x) PMID: 4500596
35. Scinicariello F, Scoza I, Brasky KM, Hilliard JK. Common chimpanzee papillomavirus 1, complete genome [Internet]. 1997 [cited 2022 Oct 13]. Available from: <http://www.ncbi.nlm.nih.gov/nuccore/AF020905.1>
36. Hoffmann M, Schütze E, Bernhard A, Schlaphoff L, Kaul A, Schöniger S, et al. Disease manifestation and viral sequences in a bonobo more than 30 Years after papillomavirus infection. *Pathogens*. 2019 Jan 26; 8(13).
37. Sundberg JP, Shima AL, Adkison DL. Oral papillomavirus infection in a pygmy chimpanzee (*Pan paniscus*). *J Vet Diagn Invest*. 1992 Jan 1; 4(1):70–4. <https://doi.org/10.1177/104063879200400115> PMID: 1313306
38. Van Ranst M, Fuse A, Sobis H, De Meurichy W, Syrjanen SM, Billiau A, et al. A papillomavirus related to HPV type 13 in oral focal epithelial hyperplasia in the pygmy chimpanzee. *J Oral Pathol Med*. 1991; 20(7):325–31. <https://doi.org/10.1111/j.1600-0714.1991.tb00939.x> PMID: 1654423

39. Köndgen S, Schenk S, Pauli G, Boesch C, Leendertz FH. Noninvasive monitoring of respiratory viruses in wild chimpanzees. *EcoHealth*. 2010 Sep 1; 7(3):332–41. <https://doi.org/10.1007/s10393-010-0340-z> PMID: 20865440
40. Patrono LV, Pléh K, Samuni L, Ulrich M, Röthemeier C, Sachse A, et al. Monkeypox virus emergence in wild chimpanzees reveals distinct clinical outcomes and viral diversity. *Nat Microbiol*. 2020 Jul; 5(7):955–65. <https://doi.org/10.1038/s41564-020-0706-0> PMID: 32341480
41. Smiley Evans T, Gilardi KVK, Barry PA, Ssebide BJ, Kinani JF, Nizeyimana F, et al. Detection of viruses using discarded plants from wild mountain gorillas and golden monkeys. *Am J Primatol*. 2016; 78(11):1222–34. <https://doi.org/10.1002/ajp.22576> PMID: 27331804
42. McFadden G, Mohamed MR, Rahman MM, Bartee E. Cytokine determinants of viral tropism. *Nat Rev Immunol*. 2009 Sep; 9(9):645–55. <https://doi.org/10.1038/nri2623> PMID: 19696766
43. Mistry N, Wibom C, Evander M. Cutaneous and mucosal human papillomaviruses differ in net surface charge, potential impact on tropism. *Virology*. 2008 Oct 14; 5:118. <https://doi.org/10.1186/1743-422X-5-118> PMID: 18854037
44. Murray SM, Picker LJ, Axthelm MK, Hudkins K, Alpers CE, Linial ML. Replication in a superficial epithelial cell niche explains the lack of pathogenicity of primate foamy virus infections. *J Virol*. 2008 Jun; 82(12):5981–5. <https://doi.org/10.1128/JVI.00367-08> PMID: 18400853
45. Scully EJ, Basnet S, Wrangham RW, Muller MN, Otali E, Hyeroba D, et al. Lethal respiratory disease associated with human rhinovirus C in wild chimpanzees, Uganda, 2013. *Emerg Infect Dis*. 2018 Feb; 24(2):267–74.
46. Ghosh S, Kumar M, Santiana M, Mishra A, Zhang M, Labayo H, et al. Enteric viruses replicate in salivary glands and infect through saliva. *Nature*. 2022 Jul; 607(7918):345–50. <https://doi.org/10.1038/s41586-022-04895-8> PMID: 35768512
47. Calattini S, Betsem EBA, Froment A, Maucière P, Tortevoe P, Schmitt C, et al. Simian foamy virus transmission from apes to humans, rural Cameroon. *Emerg Infect Dis*. 2007 Sep; 13(9):1314–20. <https://doi.org/10.3201/eid1309.061162> PMID: 18252101
48. Liu W, Worobey M, Li Y, Keele BF, Bibollet-Ruche F, Guo Y, et al. Molecular ecology and natural history of simian foamy virus infection in wild-living chimpanzees. *PLoS Pathog*. 2008 Jul 4; 4(7):e1000097. <https://doi.org/10.1371/journal.ppat.1000097> PMID: 18604273
49. Rosati AG, Emery Thompson M, Atencia R, Buckholtz JW. Distinct developmental trajectories for risky and impulsive decision-making in chimpanzees. *J Exp Psychol Gen*. 2023 Jan 23; <https://doi.org/10.1037/xge0001347> PMID: 36689365
50. Wobber V, Hare B, Maboto J, Lipson S, Wrangham R, Ellison PT. Differential changes in steroid hormones before competition in bonobos and chimpanzees. *Proc Natl Acad Sci U S A*. 2010 Jul 13; 107(28):12457–62. <https://doi.org/10.1073/pnas.1007411107> PMID: 20616027
51. Wobber V, Hare B. Psychological health of orphan bonobos and chimpanzees in African sanctuaries. *PLoS One*. 2011; 6(6):e17147. <https://doi.org/10.1371/journal.pone.0017147> PMID: 21666743
52. Negrey JD, Emery Thompson M, Dunn CD, Otali E, Wrangham RW, Mitani JC, et al. Female reproduction and viral infection in a long-lived mammal. *J Anim Ecol*. 2022 Oct; 91(10):1999–2009. <https://doi.org/10.1111/1365-2656.13799> PMID: 35988037
53. Negrey JD, Emery Thompson M, Langergraber KE, Machanda ZP, Mitani JC, Muller MN, et al. Demography, life-history trade-offs, and the gastrointestinal virome of wild chimpanzees. *Philos Trans R Soc B Biol Sci*. 2020 Nov 9; 375(1811):20190613. <https://doi.org/10.1098/rstb.2019.0613> PMID: 32951554
54. Negrey JD, Mitani JC, Wrangham RW, Otali E, Reddy RB, Pappas TE, et al. Viruses associated with ill health in wild chimpanzees. *Am J Primatol*. 2022 Feb; 84(2):e23358. <https://doi.org/10.1002/ajp.23358> PMID: 35015311
55. Allander T, Emerson SU, Engle RE, Purcell RH, Bukh J. A virus discovery method incorporating DNase treatment and its application to the identification of two bovine parvovirus species. *Proc Natl Acad Sci U S A*. 2001 Sep 25; 98(20):11609–14. <https://doi.org/10.1073/pnas.211424698> PMID: 11562506
56. Nurk S, Meleshko D, Korobeynikov A, Pevzner PA. metaSPAdes: a new versatile metagenomic assembler. *Genome Res*. 2017 May; 27(5):824–34. <https://doi.org/10.1101/gr.213959.116> PMID: 28298430
57. Pribelski A, Antipov D, Meleshko D, Lapidus A, Korobeynikov A. Using SPAdes de novo assembler. *Curr Protoc Bioinforma*. 2020 Jun; 70(1):e102. <https://doi.org/10.1002/cpbi.102> PMID: 32559359
58. Altschul SF, Gish W, Miller W, Myers EW, Lipman DJ. Basic local alignment search tool. *J Mol Biol*. 1990 Oct 5; 215(3):403–10. [https://doi.org/10.1016/S0022-2836\(05\)80360-2](https://doi.org/10.1016/S0022-2836(05)80360-2) PMID: 2231712

59. Gish W, States DJ. Identification of protein coding regions by database similarity search. *Nat Genet.* 1993 Mar; 3(3):266–72. <https://doi.org/10.1038/ng0393-266> PMID: 8485583
60. Dierckxsens N, Mardulyn P, Smits G. NOVOPlasty: de novo assembly of organelle genomes from whole genome data. *Nucleic Acids Res.* 2017 Feb 28; 45(4):e18. <https://doi.org/10.1093/nar/gkw955> PMID: 28204566
61. Toohey-Kurth K, Sibley SD, Goldberg TL. Metagenomic assessment of adventitious viruses in commercial bovine sera. *Biologicals.* 2017 May 1; 47:64–8. <https://doi.org/10.1016/j.biologicals.2016.10.009> PMID: 28366627
62. Pace J, Youens-Clark K, Freeman C, Hurwitz B, Van Doorslaer K. PuMA: A papillomavirus genome annotation tool. *Virus Evol.* 2020 Jul; 6(2):veaa068. <https://doi.org/10.1093/ve/veaa068> PMID: 33381306
63. Madeira F, Park Y mi, Lee J, Buso N, Gur T, Madhusoodanan N, et al. The EMBL-EBI search and sequence analysis tools APIs in 2019. *Nucleic Acids Res.* 2019 Jul 2; 47(W1):W636–41. <https://doi.org/10.1093/nar/gkz268> PMID: 30976793
64. Notredame C, Higgins DG, Heringa J. T-Coffee: A novel method for fast and accurate multiple sequence alignment. *J Mol Biol.* 2000 Sep 8; 302(1):205–17. <https://doi.org/10.1006/jmbi.2000.4042> PMID: 10964570
65. Guindon S, Dufayard JF, Lefort V, Anisimova M, Hordijk W, Gascuel O. New algorithms and methods to estimate maximum-likelihood phylogenies: assessing the performance of PhyML 3.0. *Syst Biol.* 2010 Mar 29; 59(3):307–21. <https://doi.org/10.1093/sysbio/syq010> PMID: 20525638
66. Lefort V, Longueville JE, Gascuel O. SMS: Smart Model Selection in PhyML. *Mol Biol Evol.* 2017 Sep 1; 34(9):2422–4. <https://doi.org/10.1093/molbev/msx149> PMID: 28472384
67. Rambaut A. FigTree, version 1.4.4. [Internet]. 2018 [cited 2022 Dec 2]. Available from: <http://tree.bio.ed.ac.uk/software/figtree/>
68. Kumar S, Stecher G, Li M, Knyaz C, Tamura K. MEGA X: molecular evolutionary genetics analysis across computing platforms. *Mol Biol Evol.* 2018 Jun 1; 35(6):1547–9. <https://doi.org/10.1093/molbev/msy096> PMID: 29722887
69. Edgar RC. MUSCLE: multiple sequence alignment with high accuracy and high throughput. *Nucleic Acids Res.* 2004; 32(5):1792–7. <https://doi.org/10.1093/nar/gkh340> PMID: 15034147
70. Muhire BM, Varsani A, Martin DP. SDT: a virus classification tool based on pairwise sequence alignment and identity calculation. *PloS One.* 2014; 9(9):e108277. <https://doi.org/10.1371/journal.pone.0108277> PMID: 25259891
71. R Core Team. R: A Language and Environment for Statistical Computing [Internet]. Vienna, Austria: R Foundation for Statistical Computing; 2022 [cited 2022 Oct 1]. Available from: <https://www.R-project.org/>
72. RStudio Team. RStudio: Integrated Development Environment for R [Internet]. Boston, MA: RStudio, PBC; 2022 [cited 2022 Oct 1]. Available from: <http://www.rstudio.com/>
73. Rosario K, Breitbart M, Harrach B, Segalés J, Delwart E, Biagini P, et al. Revisiting the taxonomy of the family Circoviridae: establishment of the genus Cyclovirus and removal of the genus Gyrovirus. *Arch Virol.* 2017; 162(5):1447–63. <https://doi.org/10.1007/s00705-017-3247-y> PMID: 28155197
74. Sasaki M, Orba Y, Ueno K, Ishii A, Moonga L, Hang'ombe BM, et al. Metagenomic analysis of the shrew enteric virome reveals novel viruses related to human stool-associated viruses. *J Gen Virol.* 2015 Feb; 96(2):440–52. <https://doi.org/10.1099/vir.0.071209-0> PMID: 25381053
75. Gainor K, Becker A, Malik YS, Ghosh S. Detection and complete genome analysis of circoviruses and cycloviruses in the small indian mongoose (*Urva auropunctata*): identification of novel species. *Viruses.* 2021 Aug 27; 13:1700. <https://doi.org/10.3390/v13091700> PMID: 34578282
76. Harding C, Larsen BB, Gryseels S, Otto HW, Suazo C, Kraberger S, et al. Discovery of three cycloviruses in fecal samples from silver-haired bats (*Lasionycteris noctivagans*) in Arizona (USA). *Arch Virol.* 2022 Aug 31; 1–5. <https://doi.org/10.1007/s00705-022-05574-9> PMID: 36045303
77. de Villiers E, Fauquet C, Broker TR, Bernard H, zur Hausen H. Classification of papillomaviruses. *Virology.* 2004 Jun 20; 324(1):17–27. <https://doi.org/10.1016/j.virol.2004.03.033> PMID: 15183049
78. Van Doorslaer K, Tan Q, Xirasagar S, Bandaru S, Gopalan V, Mohamoud Y, et al. The Papillomavirus Episteme: a central resource for papillomavirus sequence data and analysis. *Nucleic Acids Res.* 2013 Jan; 41(Database Issue):D571–8. <https://doi.org/10.1093/nar/gks984> PMID: 23093593
79. Van Doorslaer K, Li Z, Xirasagar S, Maes P, Kaminsky D, Liou D, et al. The Papillomavirus Episteme: a major update to the papillomavirus sequence database. *Nucleic Acids Res.* 2017 Jan 4; 45(D1):D499–506. <https://doi.org/10.1093/nar/gkw879> PMID: 28053164

80. Li L, Kapoor A, Slikas B, Bamidele OS, Wang C, Shaukat S, et al. Multiple diverse circoviruses infect farm animals and are commonly found in human and chimpanzee feces. *J Virol*. 2010 Feb; 84(4):1674–82. <https://doi.org/10.1128/JVI.02109-09> PMID: 20007276
81. Murthy S, O'Brien K, Agbor A, Angedakin S, Arandjelovic M, Ayimisin E, et al. Cytomegalovirus distribution and evolution in hominines. *Virus Evol*. 2019 Aug 1; 5(2):vez015. <https://doi.org/10.1093/vez015> PMID: 31384482
82. Seimon TA, Olson SH, Lee KJ, Rosen G, Ondzie A, Cameron K, et al. Adenovirus and herpesvirus diversity in free-ranging great apes in the Sangha region of the Republic of Congo. *PLoS One*. 2015 Mar 17; 10(3):e0118543. <https://doi.org/10.1371/journal.pone.0118543> PMID: 25781992
83. Anoh AE, Murthy S, Akoua-Koffi C, Couacy-Hymann E, Leendertz FH, Calvignac-Spencer S, et al. Cytomegaloviruses in a community of wild nonhuman primates in Taï National Park, Côte D'Ivoire. *Viruses*. 2017 Dec 29; 10(11):1–13.
84. Ehlers B, Ochs A, Leendertz F, Goltz M, Boesch C, Mätz-Rensing K. Novel simian homologues of Epstein-Barr virus. *J Virol*. 2003 Oct; 77(19):10695–9. <https://doi.org/10.1128/jvi.77.19.10695-10699.2003> PMID: 12970457
85. Lonsdorf E, Travis D, Ssuna R, Lantz E, Wilson M, Gamble K, et al. Field immobilization for treatment of an unknown illness in a wild chimpanzee (*Pan troglodytes schweinfurthii*) at Gombe National Park, Tanzania: findings, challenges, and lessons learned. *Primates*. 2014 Jan; 55(1):89–99. <https://doi.org/10.1007/s10329-013-0372-4> PMID: 23872909
86. Morozov VA, Leendertz FH, Junglen S, Boesch C, Pauli G, Ellerbrok H. Frequent foamy virus infection in free-living chimpanzees of the Taï National Park (Côte d'Ivoire). *J Gen Virol*. 2009; 90(2):500–6.
87. Prepens S, Kreuzer KA, Leendertz F, Nitsche A, Ehlers B. Discovery of herpesviruses in multi-infected primates using locked nucleic acids (LNA) and a bigenic PCR approach. *Virol J*. 2007 Sep 6; 4:84. <https://doi.org/10.1186/1743-422X-4-84> PMID: 17822523
88. Coffin J, Blomberg J, Fan H, Gifford R, Hatzioannou T, Lindemann D, et al. ICTV virus taxonomy profile: Retroviridae 2021. *J Gen Virol*. 2021 Dec 23; 102(12). <https://doi.org/10.1099/jgv.0.001712> PMID: 34939563
89. Khan AS, Bodem J, Buseyne F, Gessain A, Johnson W, Kuhn JH, et al. Spumaretroviruses: Updated taxonomy and nomenclature. *Virology*. 2018 Mar 1; 516:158–64. <https://doi.org/10.1016/j.virol.2017.12.035> PMID: 29407373
90. Eberle R, Jones-Engel L. Understanding primate herpesviruses. *J Emerg Dis Virol*. 2017 Mar; 3(1): <https://doi.org/10.16966/2473-1846.127> PMID: 29607423
91. Smiley Evans T, Lowenstine LJ, Gilardi KV, Barry PA, Ssebide BJ, Kinani JF, et al. Mountain gorilla lymphocryptovirus has Epstein-Barr virus-like epidemiology and pathology in infants. *Sci Rep*. 2017 Jul 13; 7:5352. <https://doi.org/10.1038/s41598-017-04877-1> PMID: 28706209
92. Damania B, Kenney SC, Raab-Traub N. Epstein-Barr virus: biology and clinical disease. *Cell*. 2022 Sep 29; 185. <https://doi.org/10.1016/j.cell.2022.08.026> PMID: 36113467
93. Gatherer D, Depledge DP, Hartley CA, Szpara ML, Vaz PK, Benkó M, et al. ICTV virus taxonomy profile: Herpesviridae 2021. *J Gen Virol*. 2021 Oct; 102. <https://doi.org/10.1099/jgv.0.001673> PMID: 34704922
94. Krupovic M, Varsani A, Kazlauskas D, Breitbart M, Delwart E, Rosario K, et al. Cressdnaviricota: a virus phylum unifying seven families of rep-encoding viruses with single-stranded, circular DNA genomes. *J Virol*. 2020 Jun; 94(12):e00582–20. <https://doi.org/10.1128/JVI.00582-20> PMID: 32269128
95. Delmas B, Attoui H, Ghosh S, Malik YS, Mundt E, Vakharia VN, et al. ICTV virus taxonomy profile: Picobirnaviridae. *J Gen Virol*. 2019 Feb; 100(2):133–4. <https://doi.org/10.1099/jgv.0.001186> PMID: 30484763
96. Ghosh S, Malik YS. The true host/s of picobirnaviruses. *Front Vet Sci*. 2021; 7:615293. <https://doi.org/10.3389/fvets.2020.615293> PMID: 33553283
97. Gainor K, Malik YS, Ghosh S. Novel cyclovirus species in dogs with hemorrhagic gastroenteritis. *Viruses*. 2021 Oct 26; 13:2155. <https://doi.org/10.3390/v13112155> PMID: 34834961
98. Wang D. The enigma of picobirnaviruses: viruses of animals, fungi, or bacteria? *Curr Opin Virol*. 2022 Jun; 54:101232. <https://doi.org/10.1016/j.coviro.2022.101232> PMID: 35644066
99. Antonsson A, Hansson BG. Healthy skin of many animal species harbors papillomaviruses which are closely related to their human counterparts. *J Virol*. 2002 Dec; 76(24):12537–42. <https://doi.org/10.1128/jvi.76.24.12537-12542.2002> PMID: 12438579
100. Rushmore J, Allison AB, Edwards EE, Bagal U, Altizer S, Cranfield MR, et al. Screening wild and semi-free ranging great apes for putative sexually transmitted diseases: evidence of Trichomonadidae infections. *Am J Primatol*. 2015; 77(10):1075–85. <https://doi.org/10.1002/ajp.22442> PMID: 26119266

101. Chen Z, Long T, Wong PY, Ho WCS, Burk RD, Chan PKS. Non-human primate papillomaviruses share similar evolutionary histories and niche adaptation as the human counterparts. *Front Microbiol.* 2019; 10:2093. <https://doi.org/10.3389/fmicb.2019.02093> PMID: 31552003
102. McBride AA. Mechanisms and strategies of papillomavirus replication. *Biol Chem.* 2017 Aug 1; 398(8):919–27. <https://doi.org/10.1515/hsz-2017-0113> PMID: 28315855
103. Van Doorslaer K, Chen Z, Bernard HU, Chan PKS, DeSalle R, Dillner J, et al. ICTV virus taxonomy profile: Papillomaviridae. *J Gen Virol.* 2018; 99:989–90. <https://doi.org/10.1099/jgv.0.001105> PMID: 29927370
104. Banura C, Mirembe FM, Katahoire AR, Namujju PB, Mbonye AK, Wabwire FM. Epidemiology of HPV genotypes in Uganda and the role of the current preventive vaccines: a systematic review. *Infect Agent Cancer.* 2011 Jul 12; 6:11. <https://doi.org/10.1186/1750-9378-6-11> PMID: 21749691
105. IARC. Human papillomaviruses. In: IARC Monographs on the Evaluation of Carcinogenic Risks to Humans. Lyon, France: International Agency for Research on Cancer; 2012. (Biological Agents).
106. Shea S, Muñoz M, Ward SC, Beasley MB, Gitman MR, Nowak MD, et al. Human papillomavirus (HPV69/HPV73) coinfection associated with simultaneous squamous cell carcinoma of the anus and presumed lung metastasis. *Viruses.* 2020 Mar 22; 12:349. <https://doi.org/10.3390/v12030349> PMID: 32235715
107. Betsem E, Rua R, Tortevoye P, Froment A, Gessain A. Frequent and recent human acquisition of simian foamy viruses through apes' bites in Central Africa. *PLoS Pathog.* 2011 Oct 27; 7(10):e1002306. <https://doi.org/10.1371/journal.ppat.1002306> PMID: 22046126
108. Rua R, Betsem E, Calattini S, Saib A, Gessain A. Genetic characterization of simian foamy viruses infecting humans. *J Virol.* 2012 Dec; 86(24):13350–9. <https://doi.org/10.1128/JVI.01715-12> PMID: 23015714
109. Switzer WM, Salemi M, Shanmugam V, Gao F, Cong ME, Kuiken C, et al. Ancient co-speciation of simian foamy viruses and primates. *Nature.* 2005 Mar 17; 434(7031):376–80. <https://doi.org/10.1038/nature03341> PMID: 15772660
110. Murthy S, Couacy-Hymann E, Metzger S, Nowak K, De Nys H, Boesch C, et al. Absence of frequent herpesvirus transmission in a nonhuman primate predator-prey system in the wild. *J Virol.* 2013 Oct; 87(19):10651–9. <https://doi.org/10.1128/JVI.01104-13> PMID: 23885068
111. Cagliani R, Forni D, Mozzi A, Sironi M. Evolution and genetic diversity of primate cytomegaloviruses. *Microorganisms.* 2020 May; 8(5):1–17. <https://doi.org/10.3390/microorganisms8050624> PMID: 32344906
112. Mühle J, Wang F. Non-human primate Lymphocryptoviruses: past, present, and future. *Curr Top Microbiol Immunol.* 2015; 391:385–405. https://doi.org/10.1007/978-3-319-22834-1_13 PMID: 26428382
113. Tischer BK, Osterrieder N. Herpesviruses—a zoonotic threat? *Vet Microbiol.* 2010 Jan 27; 140(3–4):266–70. <https://doi.org/10.1016/j.vetmic.2009.06.020> PMID: 19616388
114. Engel GA, Jones-Engel L. Primates and primatologists: social contexts for interspecies pathogen transmission. *Am J Primatol.* 2012 Jun; 74(6):543–50. <https://doi.org/10.1002/ajp.20988> PMID: 21932331
115. Muniz CP, Cavalcante LTF, Jia H, Zheng H, Tang S, Augusto AM, et al. Zoonotic infection of Brazilian primate workers with New World simian foamy virus. *PLoS One.* 2017; 12(9):e0184502. <https://doi.org/10.1371/journal.pone.0184502> PMID: 28931021
116. Mugisha L, Leendertz FH, Opuda-Asibo J, Olobo JO, Ehlers B. A novel herpesvirus in the sanctuary chimpanzees on Ngamba Island in Uganda. *J Med Primatol.* 2010b; 39(1):71–6. <https://doi.org/10.1111/j.1600-0684.2009.00396.x> PMID: 19900168
117. Kaufman HE, Azcuy AM, Varnell ED, Sloop GD, Thompson HW, Hill JM. HSV-1 DNA in tears and saliva of normal adults. *Invest Ophthalmol Vis Sci.* 2005; 46(1):241–7. <https://doi.org/10.1167/iovs.04-0614> PMID: 15623779
118. White JA, Yang X, Todd PA, Lerche NW. Longitudinal patterns of viremia and oral shedding of rhesus rhadinovirus and retroperitoneal fibromatosis herpesviruses in age-structured captive breeding populations of rhesus macaques (*Macaca mulatta*). *Comp Med.* 2011 Feb; 61(1):60–70. PMID: 21819683
119. Mugisha L, Kücherer C, Ellerbrok H, Junglen S, Opuda-Asibo J, Joseph OO, et al. Multiple viral infections in confiscated wild born semi-captive chimpanzees (*Pan troglodytes schweinfurthii*) in a sanctuary in Uganda: implications for sanctuary management and conservation. *Proc AAZV Conf.* 2011;190–5.
120. Denapaite D, Rieger M, Köndgen S, Brückner R, Ochigava I, Kappeler P, et al. Highly variable *Streptococcus oralis* strains are common among viridans streptococci isolated from primates. *mSphere.* 2016 Apr 27; 1(2):e00041–15. <https://doi.org/10.1128/mSphere.00041-15> PMID: 27303717

121. Schaumburg F, Alabi AS, Köck R, Mellmann A, Kremsner PG, Boesch C, et al. Highly divergent *Staphylococcus aureus* isolates from African non-human primates. *Environ Microbiol Rep*. 2012; 4(1):141–6. <https://doi.org/10.1111/j.1758-2229.2011.00316.x> PMID: 23757241
122. Schaumburg F, Mugisha L, Kappeller P, Fichtel C, Köck R, Köndgen S, et al. Evaluation of non-invasive biological samples to monitor *Staphylococcus aureus* colonization in great apes and lemurs. *PLoS One*. 2013 Oct 21; 8(10):e78046. <https://doi.org/10.1371/journal.pone.0078046> PMID: 24205084
123. Smiley Evans T, Barry PA, Gilardi KV, Goldstein T, Deere JD, Fike J, et al. Optimization of a novel non-invasive oral sampling technique for zoonotic pathogen surveillance in nonhuman primates. *PLoS Negl Trop Dis*. 2015 Jun 5; 9(6):e0003813. <https://doi.org/10.1371/journal.pntd.0003813> PMID: 26046911
124. Wilbur AK, Engel GA, Rompis A, A Putra IGA, Lee BPYH, Aggimarangsee N, et al. From the mouths of monkeys: detection of *Mycobacterium tuberculosis* complex DNA from buccal swabs of synanthropic macaques. *Am J Primatol*. 2012 Jul; 74(7):676–86. <https://doi.org/10.1002/ajp.22022> PMID: 22644580
125. Faust LJ, Cress D, Farmer KH, Ross SR, Beck BB. Predicting capacity demand on sanctuaries for African chimpanzees (*Pan troglodytes*). *Int J Primatol*. 2011 Aug; 32(4):849–64.
126. Trayford HR, Farmer KH. Putting the spotlight on internally displaced animals (IDAs): a survey of primate sanctuaries in Africa, Asia, and the Americas. *Am J Primatol*. 2013 Feb; 75(2):116–34. <https://doi.org/10.1002/ajp.22090> PMID: 23097324
127. Cole MF, Cantwell A, Rukundo J, Ajarova L, Fernandez-Navarro S, Atencia R, et al. Healthy cardiovascular biomarkers across the lifespan in wild-born chimpanzees (*Pan troglodytes*). *Philos Trans R Soc B Biol Sci*. 2020 Nov 9; 375(1811):20190609. <https://doi.org/10.1098/rstb.2019.0609> PMID: 32951545
128. Humle T, Colin C, Laurans M, Raballand E. Group release of sanctuary chimpanzees (*Pan troglodytes*) in the Haut Niger National Park, Guinea, West Africa: ranging patterns and lessons so far. *Int J Primatol*. 2011 Apr 1; 32(2):456–73.